

BT600FC-S

PRODUCT DESCRIPTION

**Medium flow intelligent
distribution peristaltic pump**



BT600FC-S

PRODUCT DESCRIPTION

Medium flow intelligent distribution peristaltic pump

Used in laboratories, biopharmaceuticals, printing, mineral processing and other fields

Max flow
6000mL/min

Max speed
600rpm



BT600FC-S

BT600FC-S is a medium flow intelligent distribution peristaltic pump. It uses a 3.5-inch touch screen operation, intuitive data display, and provides a variety of function settings. It has two working modes: transmission and distribution, and can realize repeated timing and quantitative dispensing. The stainless steel design is strong and durable, can store 8 sets of filling data, achieves fast filling, and supports multiple external control methods such as RS485 MODBUS communication protocol.

LCD touch

3.5-inch color LCD, Chinese and English display, touch screen control

Data storage

Can store 8 sets of data for users

Adaptable pump head

Can be installed YZ series, LP series, KZ series and other pump heads, the pump heads can be cascaded



Flow calibration

With flow calibration function, suitable for higher accuracy transfer liquid

Multiple working modes

It has two working modes: transmission and distribution. Can perform repeated timing and quantitative filling

Support external control

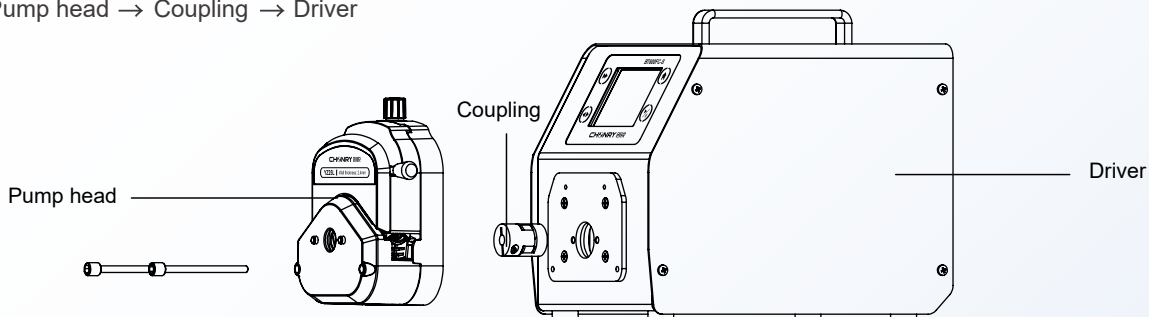
Supports RS485 MODBUS communication protocol, analog control, foot switch control

Technical parameter

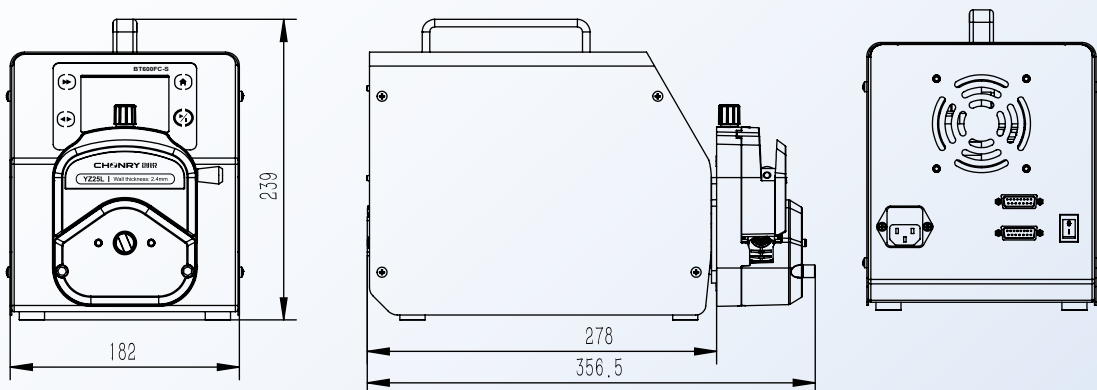
Drive model	BT600FC-S
Max Speed	600rpm (reversible)
Max Flow	6000mL/min
Speed resolution	0.1rpm
Display method	Color LCD display (Chinese and English optional)
Speed mode	Touch screen adjustment
Timing range	0.1s-9999min
Quantitative range	0.001mL-9999L
Filling times	0-9999t
Back suction angle	10°-720° (0° means no back suction)
Back suction speed	10-300rpm
Power	< 100W
Drive size	278x182x239mm
Power supply	AC220±10% (standard) or AC110V±10% (optional)
External control method	Start control/direction control/speed control (0-5V, 0-10V, 4-20mA optional) RS485 serial communication

Schematic diagram of structure and function

Pump head → Coupling → Driver



Dimensions



(unit: mm)

* Technical parameters are subject to change without notice.

Baoding Chuangrui Precision Pump Co.,Ltd.

Address: NO.369 of HuiYang Street , Baoding 071000,Hebei , China

Mobile: +86 15633705132 Website: <http://www.crpump.com> Email: support@crpump.com

