

Warranty Information

Professional Fluid Transfer

CHONRY 创锐

Warranty Commitment

- The product warranty period is one year. If there is a failure during the warranty period, you can enjoy free maintenance and replacement of parts; if it is damaged due to human beings, it will not be included in the warranty scope.
- After the warranty period, only the cost of maintenance will be charged.

Note: No employee or dealer has the right to change or violate the above warranty terms. Chuangrui is only responsible for repairing, replacing or refunding the product according to the actual use of the product and the customer's reasonable and compliance requirements.

Warranty Details

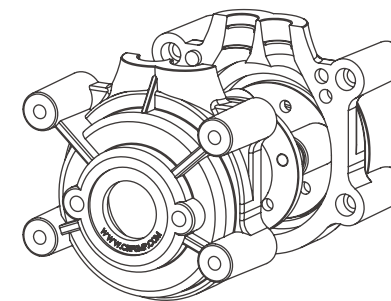
- If it is not a product quality problem, it is caused by external reasons such as operational errors or human negligence.No responsibility for direct or indirect losses.
- We are not responsible for any transport damage caused by returned products and accessories during the return journey.
- For the product, in no case shall the cost of compensation received by the customer exceed the actual payment price.

Disclaimer Information

- The contents of this operation manual are for reference only.
- Chuangrui Pumps reserves the right to make changes to products (design or specifications) without prior notice profit.
- The information contained in this article is formulated from the correct point, and we will not be responsible for any errors.
- If you need the latest version of the operation manual for this product, please contact Chuangrui official.
- We are not responsible for any loss caused by non-product quality problems or human error.



QUICK ACTION GUIDE ZN series



BAODING CHUANG RUI PRECISION PUMP CO., LTD.

Address: NO.369 of HuiYang Street, Baoding 071000, Hebei, China

Mobile: +86 15633705132 **E-mail:** support@crpump.com

Website: <https://www.crpump.com>

BAODING CHUAGN RUI PRECISION PUMP CO., LTD.

Please read this manual carefully before operation

V1.0



WARNING!!
keep fingers away
from moving rotor



Product description

ZN series pump head shell is crystal clear, transparent shell is easy to observe the operation of the pump, stainless steel rollers, corrosion resistance, long life, single pump tube structure design runs smoothly, can be used in series, supports OEM, ODM customization.

Pump head parameters

Model	Channel	Roller	Roller Material	Shaft end	Shell material -Color	Weight (kg)
ZN15-14	Single channel	3	Stainless steel	Flat shaft	PC-transparent	0.21
ZN15-16						
ZN25-24						
ZN15-25						

ID*wall thickness: mm

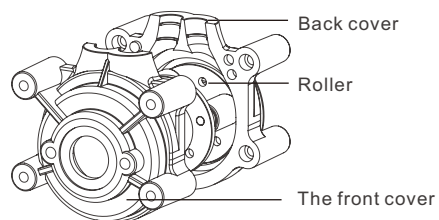
Model	Tube	ID*wall thickness	Max speed	Max flow
ZN15-14	14#	1.6*1.6	600rpm	162ml/min
ZN15-16	16#	3.2*1.6	600rpm	492ml/min
ZN25-24	24#	6.4*2.4	600rpm	1740ml/min
ZN15-25	25#	4.8*1.6	600rpm	1020ml/min

Note: The test environment for flow data is normal temperature and pressure, and the test fluid is water. The values are for reference only, please refer to the actual situation.

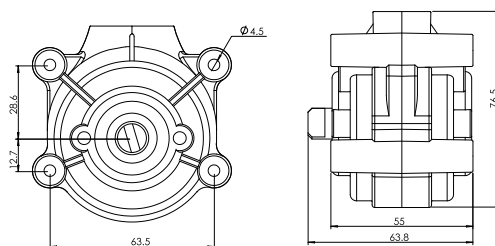
⚠ Safety warning

The tube may be cracked due to wear and tear, causing the liquid to overflow from the tube, which may cause harm to the human body and equipment, so check frequently and replace the tube in time! It is forbidden to open the upper pressure block during the operation of the product, and it is strictly forbidden to contact the rotating parts such as the pump wheel with fingers or sundries. To ensure personal and equipment safety, be sure to disconnect the drive from power before cleaning or maintenance.

Pump head structure



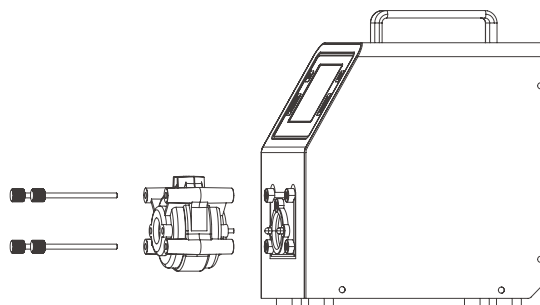
Pump head size(mm)



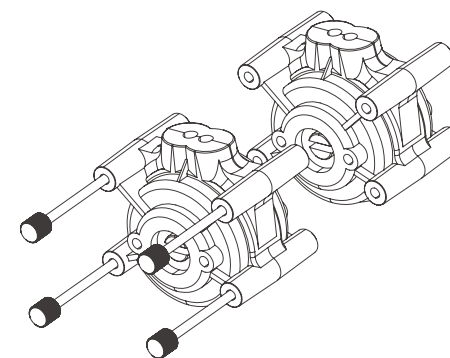
Size: 63.5x63.8x76.5 mm

Pump head installation

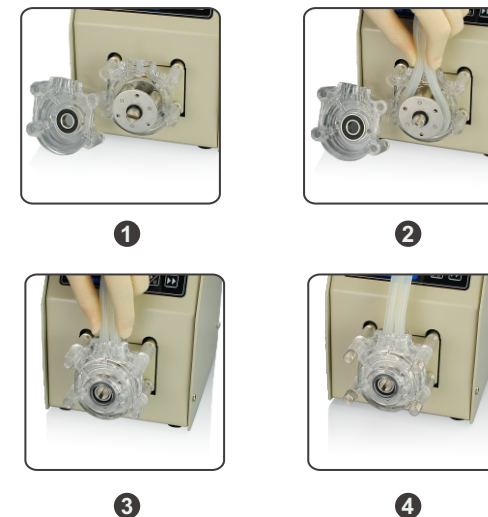
Connecting with the driver: Insert two special screws into the mounting holes on the pump head respectively, then insert the pump head shaft into the coupling groove, and finally align the pump head screws with the connecting holes of the driver and tighten.



Multi-stage connection: When multiple pump heads are connected in series, the extension screw is used to connect, and the pump head shaft of the former pump head can be embedded in the connection hole of the latter pump head.



Tube installation



Installation steps

- Disassemble the pump head mounted on the drive to the pump casing (as shown in Figure 1)
- Install the tube by pressing (as shown in Figure 2)
- After adjusting the tube to a suitable position, fasten the pump casing (as shown in Figure 3)
- Tighten the pump head bolts (as shown in Figure 4)