

TX215 series

PRODUCT
DESCRIPTION

OEM peristaltic pump series



TX215 series

PRODUCT DESCRIPTION

OEM Peristaltic Pump

Applied to fermenter equipment and biological scientific research equipment

Max flow
290mL/min

Max speed
300rpm



TX215 series Peristaltic Pump

Clamshell design, compact and beautiful, easy to change tubes. It has elastic upper pressure block and self-adaptive pipe clamp device to reduce hose wear. It has good corrosion resistance and ease of use, and can be matched with 5 types of hoses to meet different flow requirements. It is a standard supporting product for fermenter equipment and biological scientific research equipment.

Clamshell Design

Small and beautiful
easy to change tubes

Accurate flow

Compatible with 5 kinds of hoses
Meet different traffic needs



The shell material is made of high-performance engineering plastics

corrosion resistance

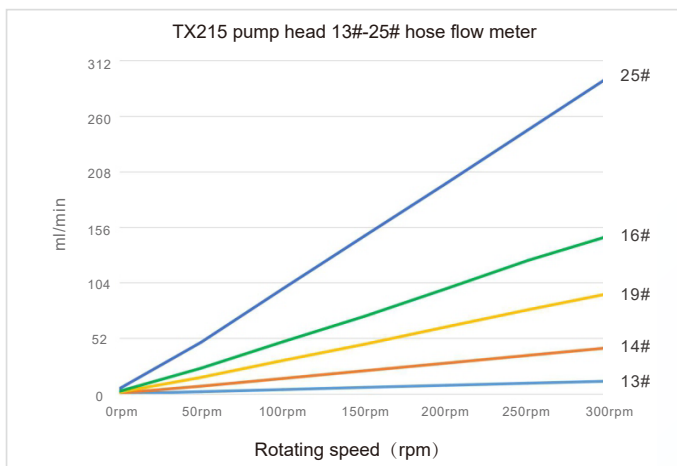
Adaptive pipe clamp device

With elastic upper pressure block
Reduce hose wear

Pump head parameter table

Hose selection: Silicone tubing (silicone), PharMed BPT tubing, Neoprene(Novoprene)

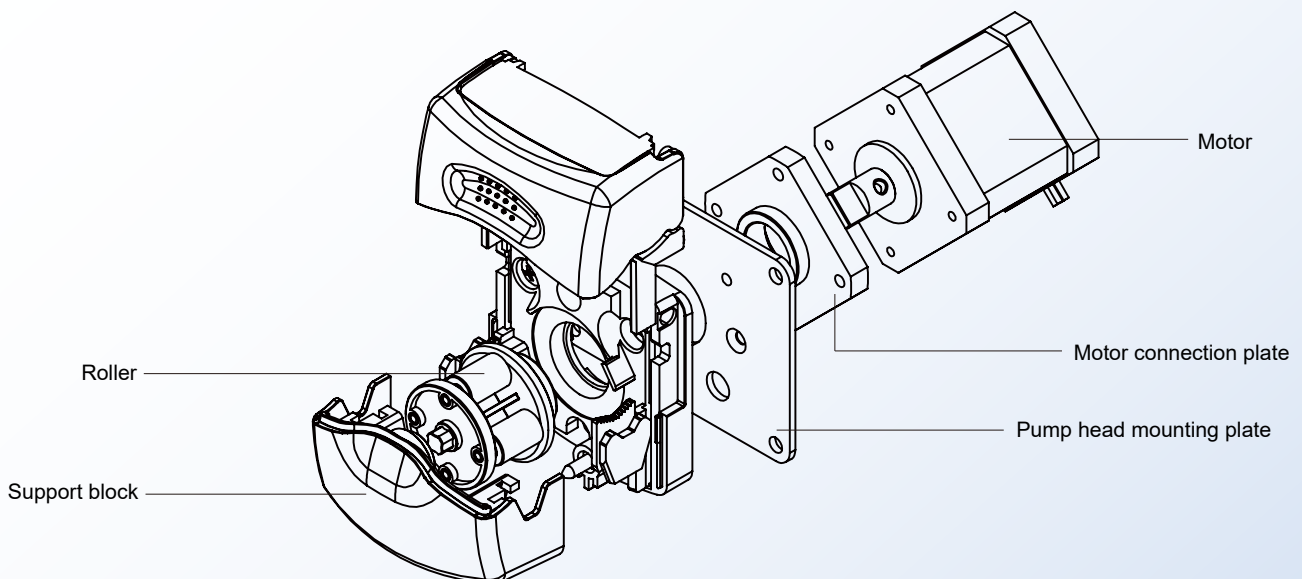
Pump Head	Channels	Rollers	Max Speed (rpm)	Hose Specifications (Id* Wall Thickness)mm	Max Flow (mL/min)
TX215	1	4	300	13# / 0.8X1.6	290
				14# / 1.6X1.6	
				19# / 2.4X1.6	
				16# / 3.2X1.6	
				25# / 4.8X1.6	



Note: The test environment for flow data is normal temperature and pressure, and the test fluid is water. The values are for reference only, please refer to the actual situation.


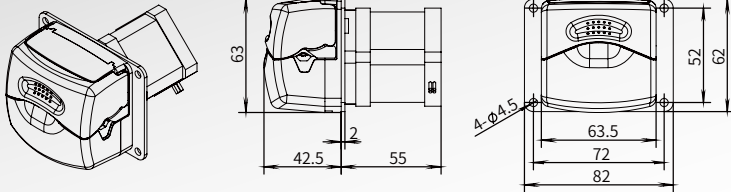

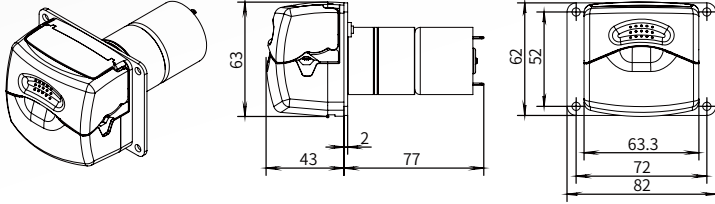
Schematic diagram of structure and function

Pump head → Pump head mounting plate → Motor connection board → Matching motor



Dimensions

Note: TX215 series can use a variety of motor matching solutions for practical application selection.

<p>UCP317-A1(Max flow 290mL/min)</p> 	 <p>Technical drawings for UCP317-A1 showing side, front, and top views with dimensions. Dimensions include: 63, 42.5, 55, 2, 82, 62, 52, 63.5, 72, 82, and a hole diameter of $\phi 4.5$.</p>
<p>OEM217 (Max flow 290mL/min)</p> 	 <p>Technical drawings for OEM217 showing side, front, and top views with dimensions. Dimensions include: 63, 43, 77, 2, 62, 52, 63.3, 72, 82.</p>

(Unit: mm)

Hose Installation Diagram

- Only touch the inner wall of the hose during fluid transfer, high hygiene level
- Compact structure design, stable transmission performance

Display before installation

- Easy to open and close



Display after installation

- Easy to press



Open the flip cover, insert the adapter hose, close the flip cover in place, and the installation is complete.

CHONRY 创锐

Baoding Chuangrui Precision Pump Co.,Ltd.

Address: NO.369 of HuiYang Street , Baoding 071000,Hebei , China

Mobile: +86 15633705132

Website: <http://www.crpump.com>

Email: support@crpump.com

