

## YZm Series Pump Head



- The roller is made of stainless steel, which is wear-resistant and corrosion-resistant and has a long service life
- Pump head supports series connection
- Single/dual channel options available
- Various models to choose from
- Knob type, can fine-tune the pressure tube gap (pressure)
- 3000ml large flow

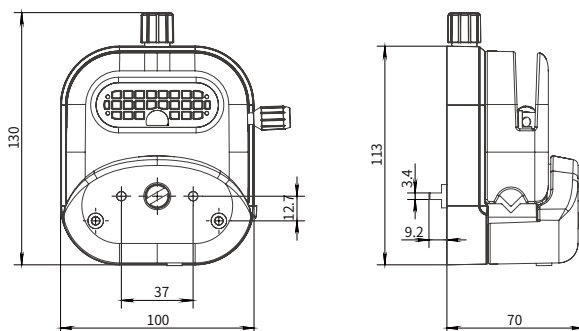
Typical application: standard/knob/dual channel/knob+dual channel

Max speed: 600rpm

Max flow | YZ15m: 2280mL/min  
YZ25m: 3000mL/min

| Series | Pump head | Channels | Hose model                  | Max flow (mL/min) | Adjustment knob | Hose Model/Specification (id * wall thickness mm) |
|--------|-----------|----------|-----------------------------|-------------------|-----------------|---|
| YZ15m  | YZ15m     | 1        | 13#/14#/19#/16#/25#/17#/18# | 2280              | Without         | 13# / 0.8x1.6<br>14# / 1.6x1.6                    |
|        | YZ15ma    | 1        | 13#/14#/19#/16#/25#/17#/18# | 2280              | belt            | 19# / 2.4x1.6<br>16# / 3.2x1.6                    |
|        | YZ15mt    | 2        | 13#/14#/19#/16#/25#         | 1020              | Without         | 25# / 4.8x1.6<br>17# / 6.4x1.6                    |
|        | YZ15mat   | 2        | 13#/14#/19#/16#/25#         | 1020              | belt            | 18# / 7.9x1.6<br>15# / 4.8x2.4                    |
| YZ25m  | YZ25m     | 1        | 15#/24#/35#/36#             | 3000              | Without         | 24# / 6.4x2.4<br>35# / 7.9x2.4                    |
|        | YZ25ma    | 1        | 15#/24#/35#/36#             | 3000              | belt            | 36# / 9.6x2.4                                     |

Note: The test environment for flow data is normal temperature and pressure, and the test fluid is water. The values are for reference only, please refer to the actual situation.



(Unit: mm)