

BW100

PRODUCT DESCRIPTION

Stepper microfluidic peristaltic pump



BW100

PRODUCT DESCRIPTION

Stepper microfluidic peristaltic pump

Used in laboratories, chromatography, medical sampling, bioreactors, etc.

Max flow
28.25mL/min

Max speed
100rpm



BW100

BW100 is a stepping microfluidic peristaltic pump. It adopts LED four-digit display, membrane key control, compact structure, stable transmission, supports one-key full speed, used for fast cleaning and filling, supports RS485/MODBUS communication protocol, meets the requirements of Different work needs of customers.

LED digital display

4-digit LED digital display speed and flow, With flow calibration function.

Easy to operate

Button to adjust parameters, can run forward and reverse, easy to operate.

Power off save

Can automatically save the control parameters when the last power failure.



One key full speed

Features a convenient full speed button for quickly filling or emptying the tube.

External control function

Support RS485/MODBUS communication protocol, the protocol can also be customized according to customer needs.

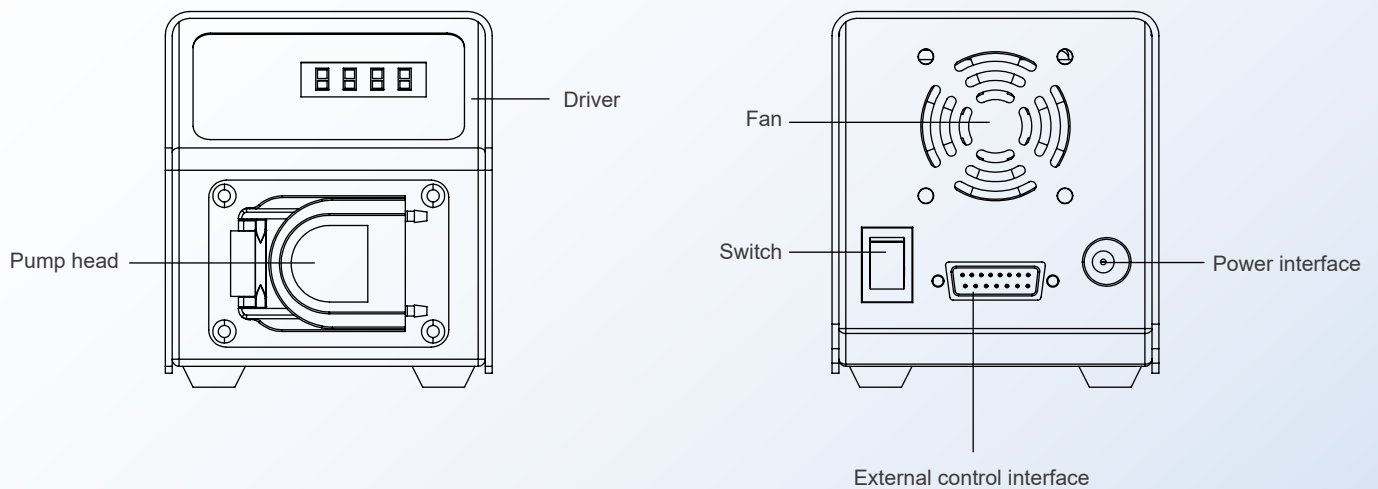
Flow calibration

Flow calibration is possible, and suction is provided to prevent liquid dripping.

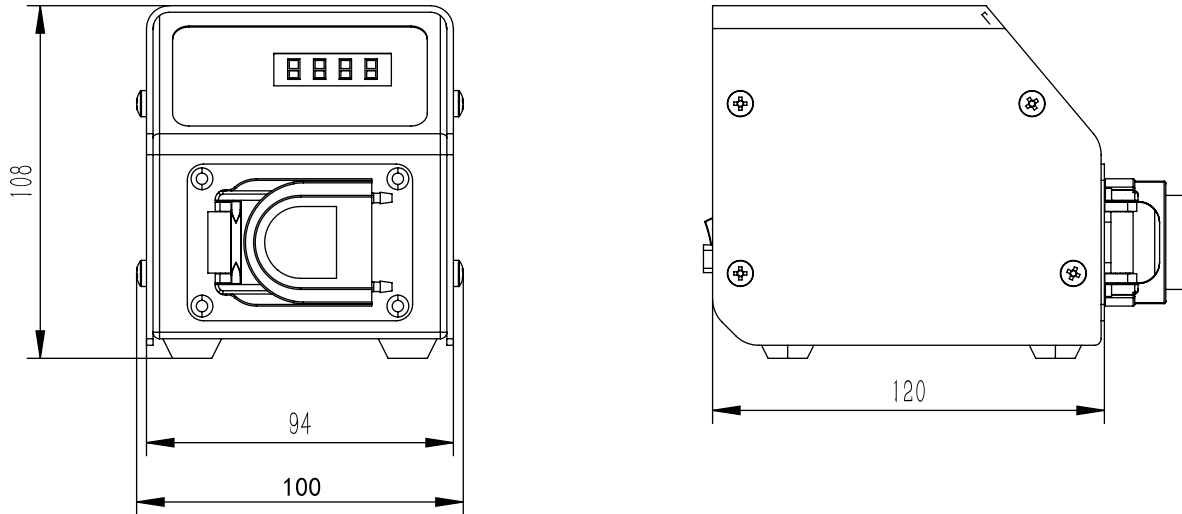
Technical parameter

Drive model	BW100
Max speed	100rpm (reversible)
Speed resolution	0.1rpm
Max flow	28.25mL/min
Pump head	WP110
Speed mode	Membrane button to adjust the speed
Display method	Four-digit LED displays current speed or flow
Suction speed	10-100rpm
Power	< 22W
Drive size	120x100x108 mm
Power supply	AC220V±10% (standard) or AC110V±10% (optional)
External control method	Start control/direction control/speed control (0-5V, 0-10V, 4-20mA optional) RS485 serial communication

Schematic diagram of structure and function



● BW100



(Unit:mm)

* Technical parameters are subject to change without notice.

CHONRY 创锐

Baoding Chuangrui Precision Pump Co.,Ltd.

Address: NO.369 of HuiYang Street , Baoding 071000,Hebei , China

Mobile: +86 15633705132

Website: <http://www.crpump.com>

Email: support@crpump.com

